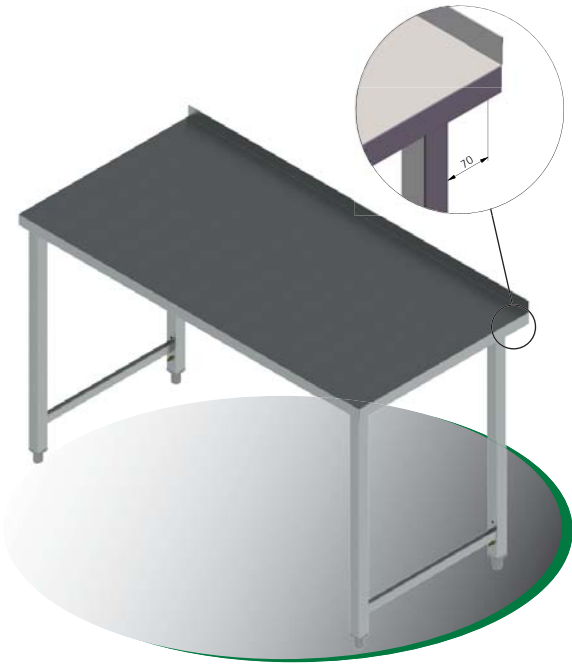


| Type of product | Description  |
|-----------------|--|
| <b>PS - 710</b> | <p><b>Working table 100 x 70 x 90</b></p> <ul style="list-style-type: none"> <li>• rear rim</li> <li>• supplied in flat-pack</li> <li>• easy assembly</li> </ul> |
| <b>PS - 712</b> | <p><b>Working table 120 x 70 x 90</b></p> <ul style="list-style-type: none"> <li>• rear rim</li> <li>• supplied in flat-pack</li> <li>• easy assembly</li> </ul> |
| <b>PS - 714</b> | <p><b>Working table 140 x 70 x 90</b></p> <ul style="list-style-type: none"> <li>• rear rim</li> <li>• supplied in flat-pack</li> <li>• easy assembly</li> </ul> |
| <b>PS - 716</b> | <p><b>Working table 160 x 70 x 90</b></p> <ul style="list-style-type: none"> <li>• rear rim</li> <li>• supplied in flat-pack</li> <li>• easy assembly</li> </ul> |
| <b>PS - 718</b> | <p><b>Working table 180 x 70 x 90</b></p> <ul style="list-style-type: none"> <li>• rear rim</li> <li>• supplied in flat-pack</li> <li>• easy assembly</li> </ul> |

View



There is a possibility to buy the shelves PMSP or PMSR (full or grid design) for every washing table (page 70).

**ZJ** **Drawer single for PS working table**

- interior dimensions (mm): 345 x 492 x 132



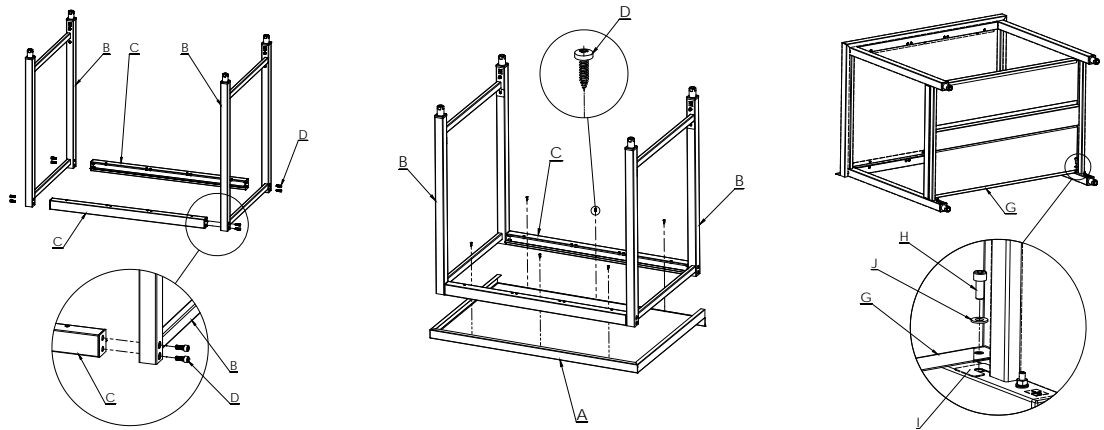
Dimensions (cm): 41,2 x 53 x 21,2

**ZB** **Set of drawers for PS working table**

- 3 x drawer
- interior dimensions (mm): 3 x 345 x 492 x 132



Dimensions (cm): 41,9 x 59,5 x 64,5



PS 140 x 70 x 90



PS 140 x 70 x 90  
+ ZB



PS 140 x 70 x 90  
+ ZJ



PS 140 x 70 x 90  
+ 3 x ZJ



PS 140 x 70 x 90  
+ PMSP 70 14



PS 140 x 70 x 90  
+ ZB  
+ PMSP 70 14

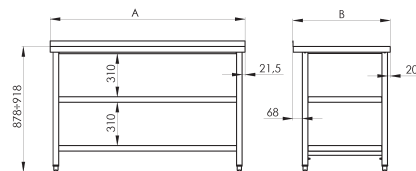


PS 140 x 70 x 90  
+ ZJ  
+ PMSP 70 14



PS 140 x 70 x 90  
+ 3 x ZJ  
+ PMSP 70 16

It is possible to assemble 2 pieces of shelves to each model of working tables (in 2 floors)



**Full shelf for tables PS**

| Code                     | Determined for type | Price |
|--------------------------|---------------------|-------|
| PMSP 70 10 (100 x 70 cm) | PS 710              | 65,-  |
| PMSP 70 12 (120 x 70 cm) | PS 712              | 73,-  |
| PMSP 70 14 (140 x 70 cm) | PS 714              | 84,-  |
| PMSP 70 16 (160 x 70 cm) | PS 716              | 100,- |
| PMSP 70 18 (180 x 70 cm) | PS 718              | 116,- |

**Grid shelf for tables PS**

| Code                     | Determined for type | Price |
|--------------------------|---------------------|-------|
| PMSR 70 10 (100 x 70 cm) | PS 710              | 70,-  |
| PMSR 70 12 (120 x 70 cm) | PS 712              | 83,-  |
| PMSR 70 14 (140 x 70 cm) | PS 714              | 104,- |
| PMSR 70 16 (160 x 70 cm) | PS 716              | 117,- |
| PMSR 70 18 (180 x 70 cm) | PS 718              | 129,- |