

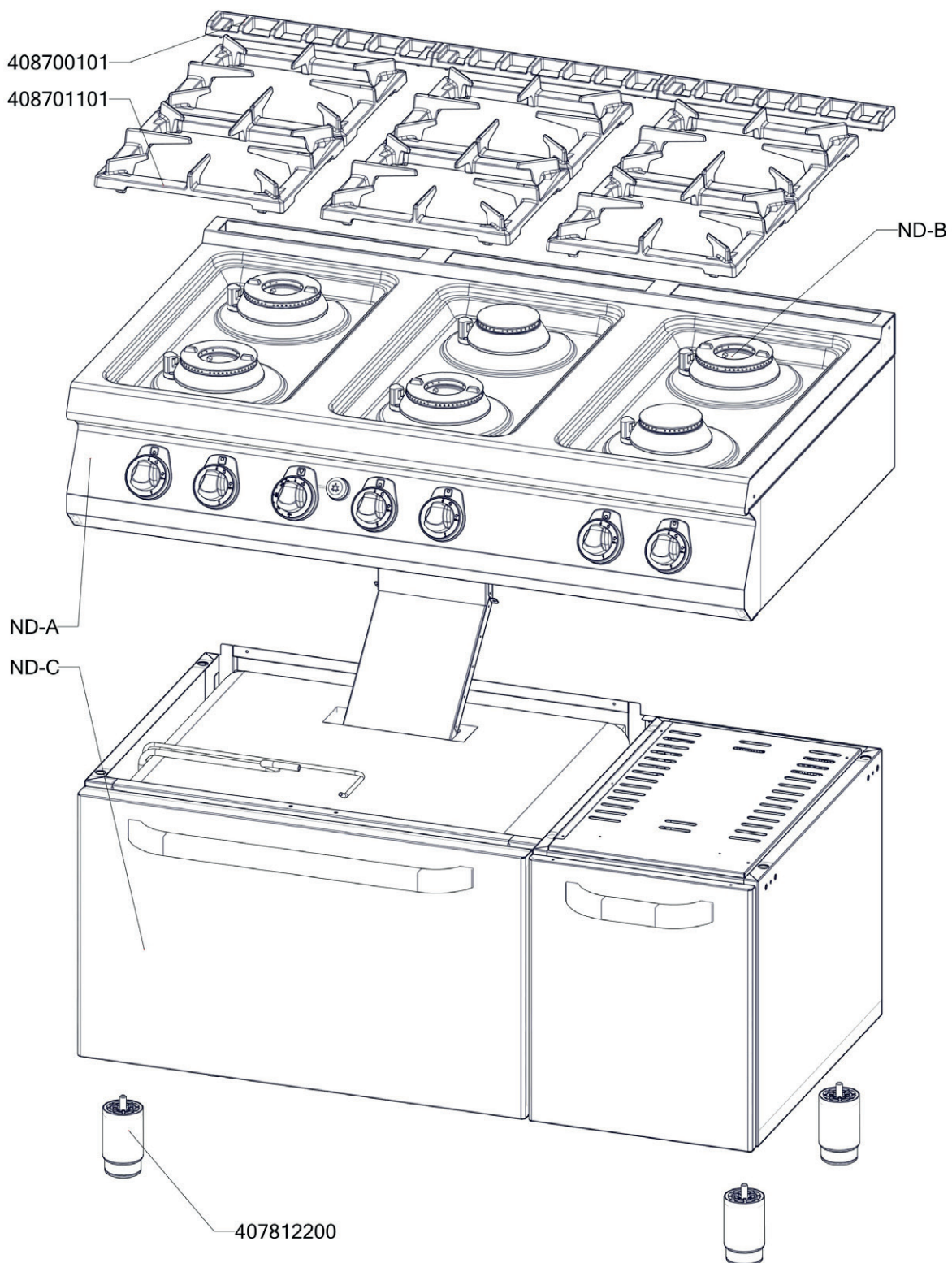
# Exploded view

Explodierte Ansicht | Dessin technique | Rozkres  
Vista en despiece ordenado



SPT 7120/21 G

Exploded view 1/3



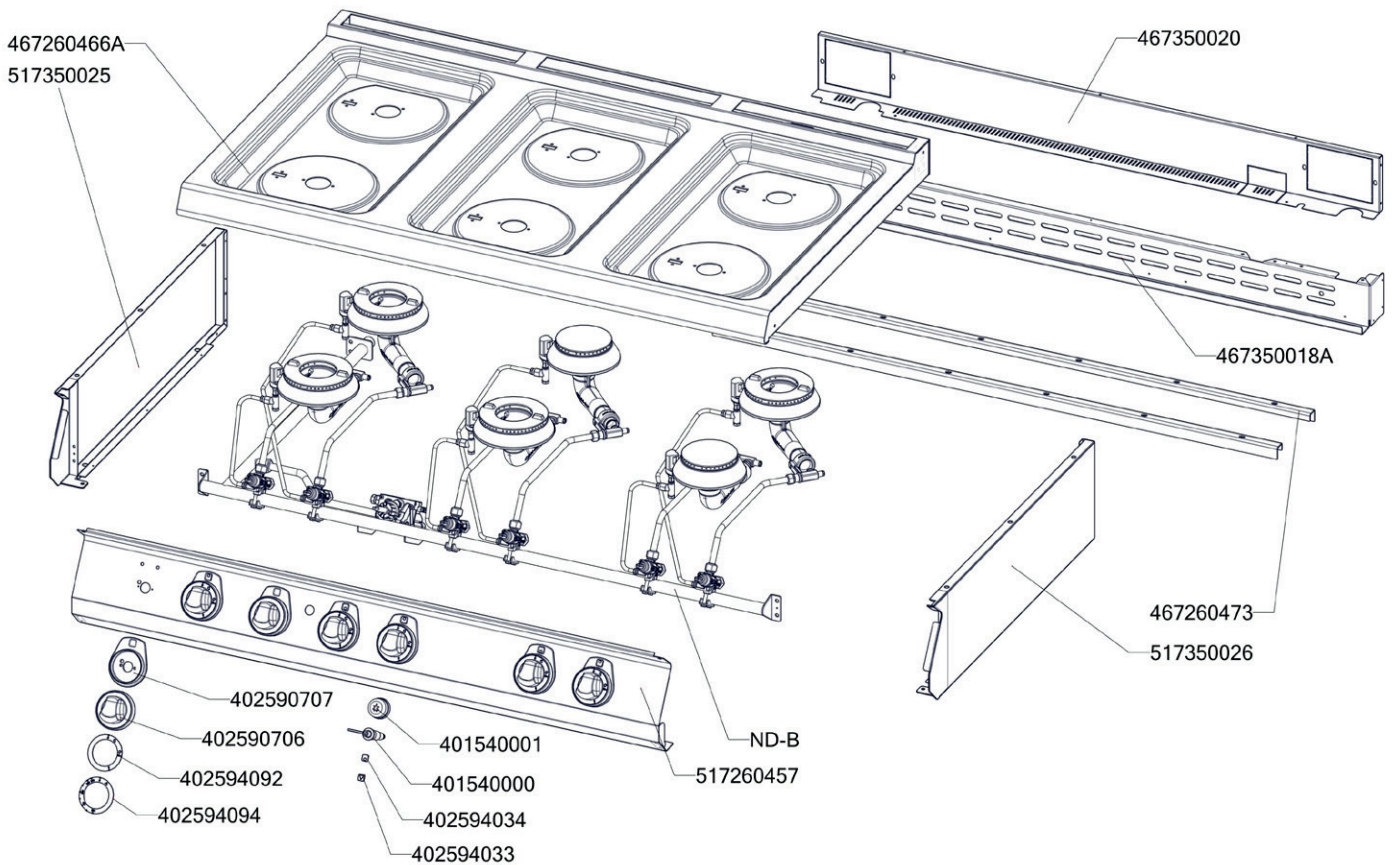
# Exploded view

Explodierte Ansicht | Dessin technique | Rozkres  
Vista en despiece ordenado



SPT 7120/21 G

Exploded view 2/3



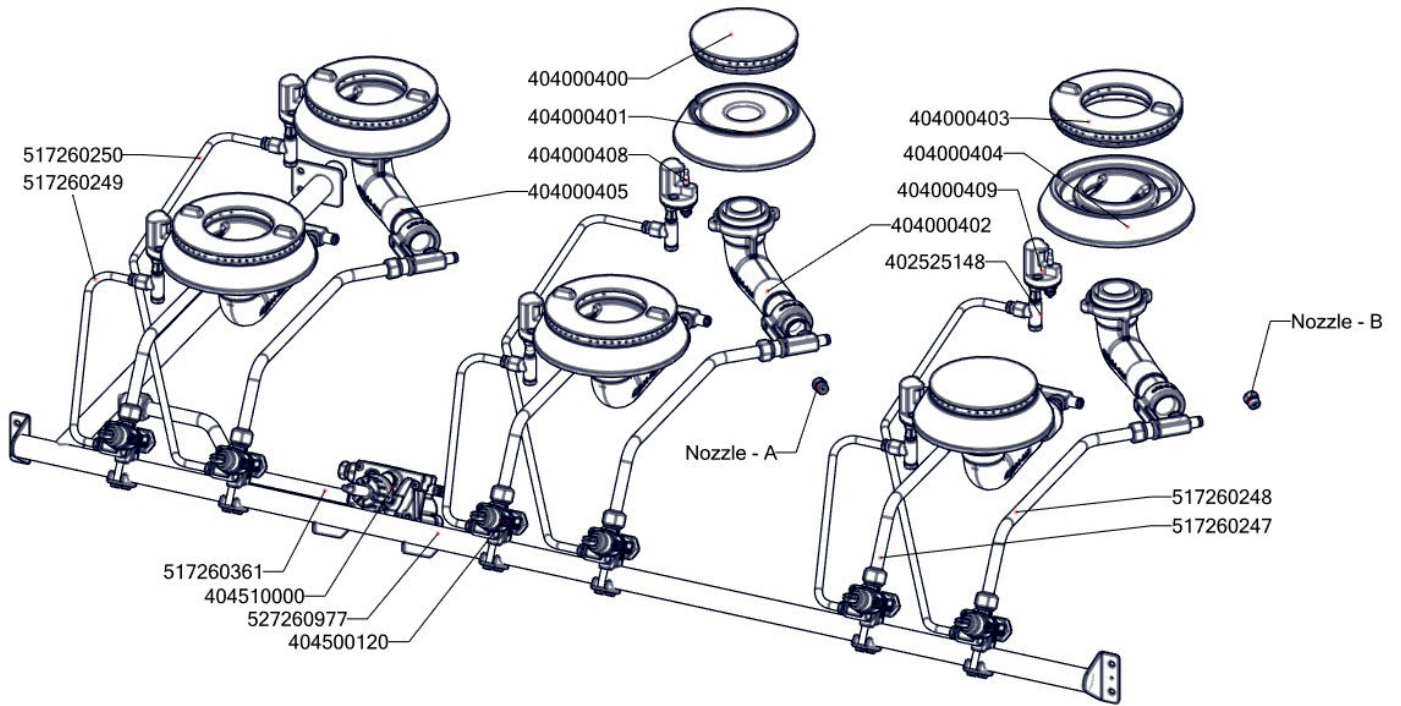
# Exploded view

Explodierte Ansicht | Dessin technique | Rozkres  
Vista en despiece ordenado



SPT 7120/21 G

Exploded view 3/3



# Exploded view

## Explodierte Ansicht | Dessin technique | Rozkres Vista en despiece ordenado



SPT 7120/21 G

ARTICLE	NUMBER
Chimney grate - enamelled	408700101
Cast iron grate	408701101
Adjustable stainless steel leg + stainless steel leg	407812200
Top plate	467260466A
Left side of the top	517350025
Back cover	467350020
Gas rear brace	467350018A
Plate reinforcement	467260473
The right side of the top	517350026
Control knob washer	402590707
Control knob	402590706
Self-adhesive label with scale	402594092
Self-adhesive gas oven label	402594094
Piezo igniter cover	401540001
Piezo Lighter	401540000
Self-adhesive label - stove	402594034
Self-adhesive label - arrow	402594033
Front panel	517260457
SP tube copper d6mm PILOT2	517260250
SP tube copper d6mm PILOT1	517260249
ARC torch sprayer - 4.5kW	404000400
Burner body ARC - 4.5 kW	404000401
ARC thermocouple	404000408
ARC burner elbow - 7.5kW	404000405
ARC torch sprayer - 7.5kW	404000403
Burner body ARC - 7.5 kw	404000404
Pilot ARC - block	404000409
ARC burner elbow - 4.5kW	404000402
ARC pilot burner body with nozzle 40	402525148
Copper tube d10mm H2	517260248
Tube copper d10mm H1	517260247
Tube copper d12 SIT	517260361
Gas valve	404510000
Galvanized supply pipe with nuts	527260977
Gas tap with clamp 1/2" + pilot	404500120